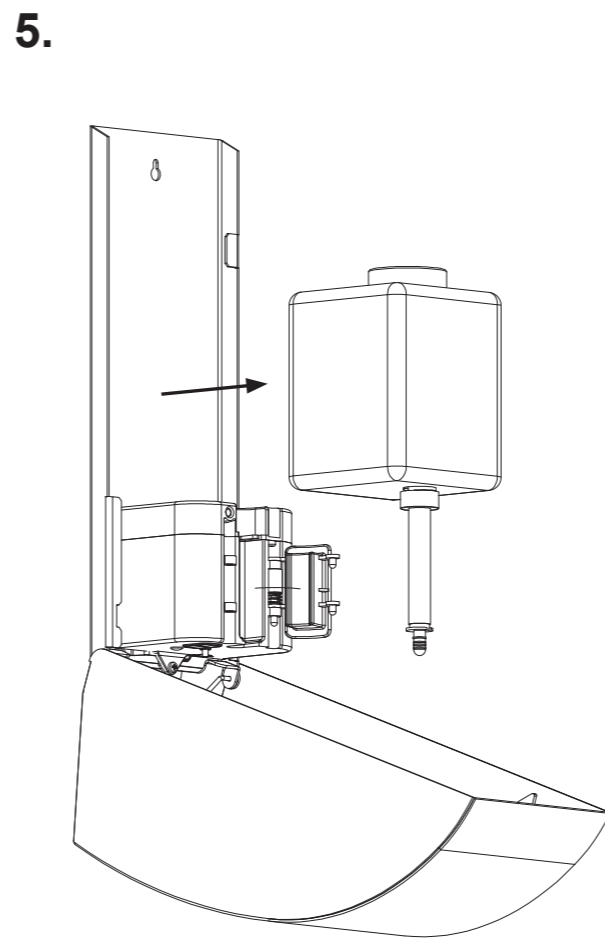
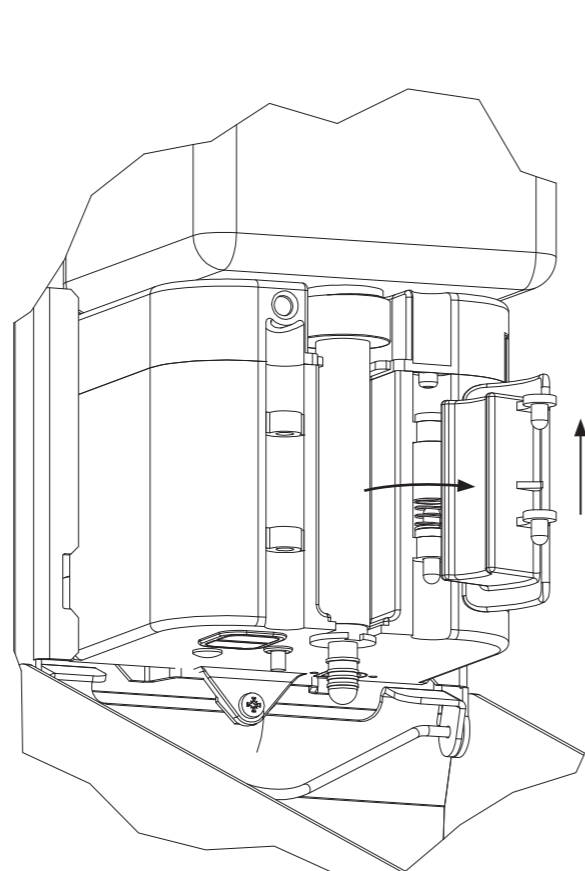
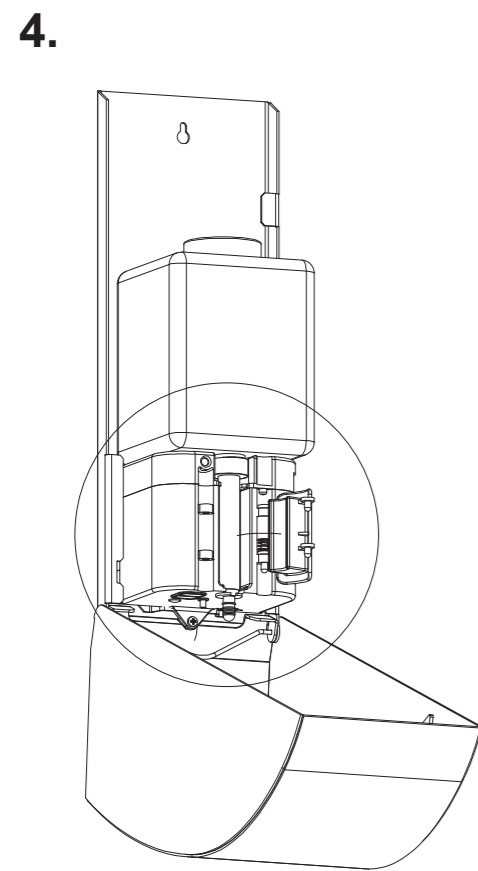
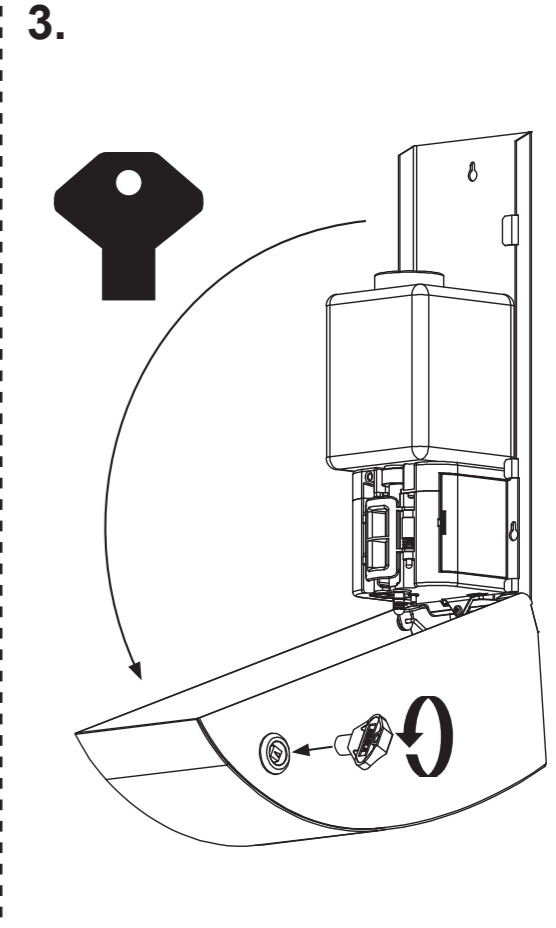
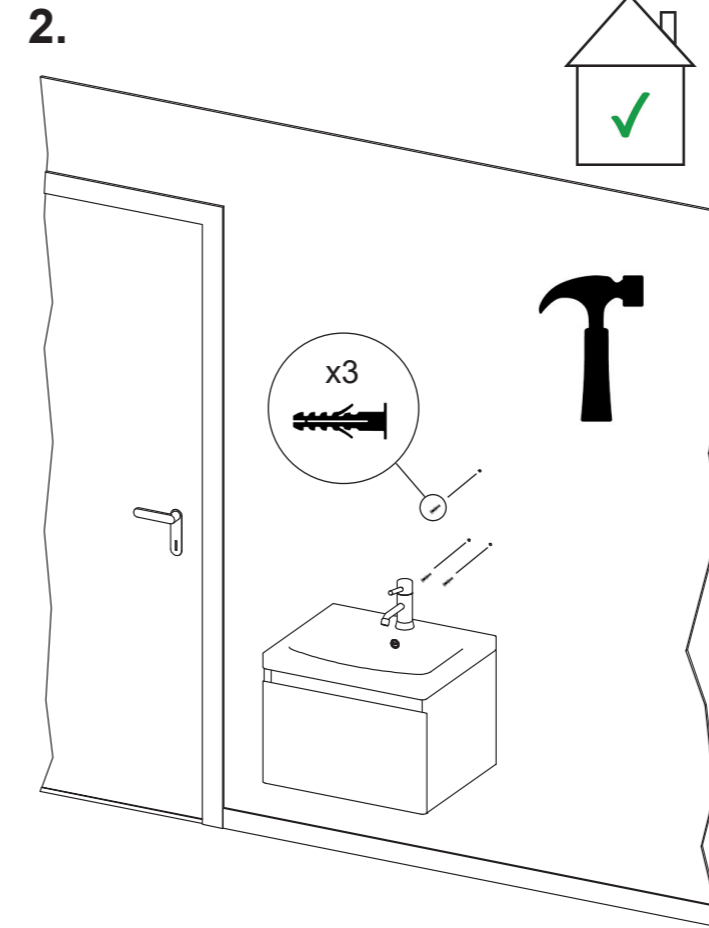
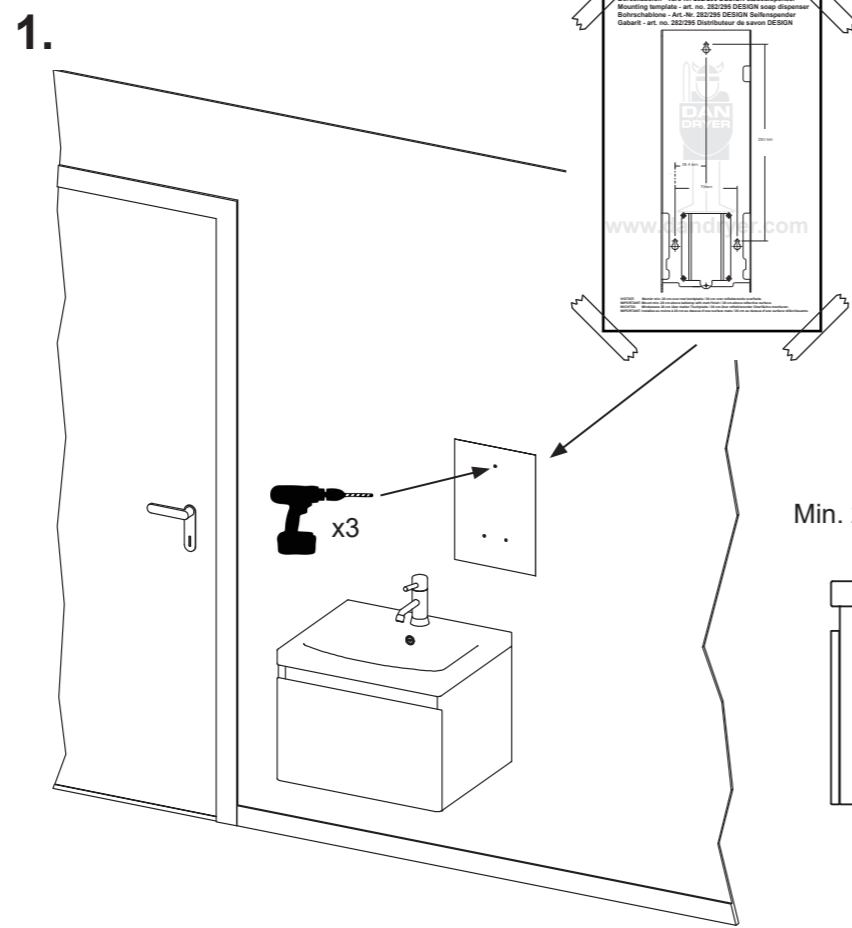
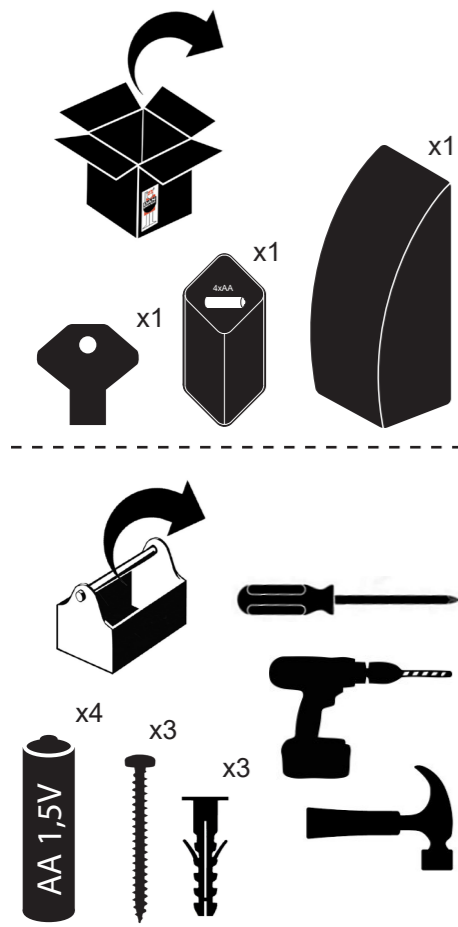
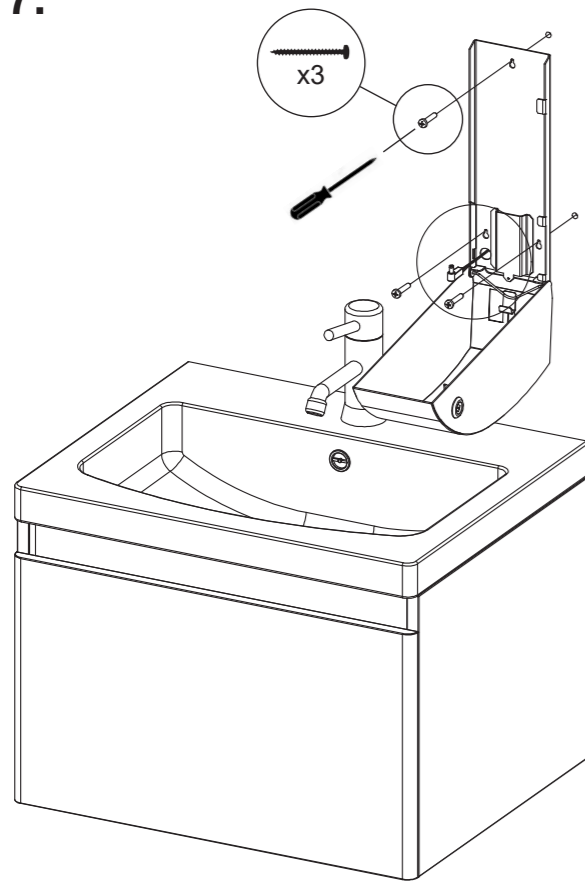


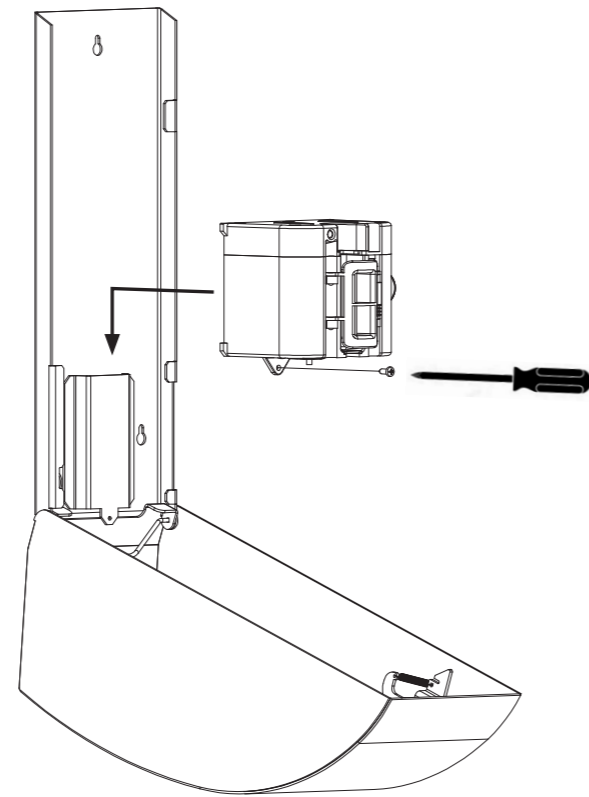
282 DAN DRYER sæbedispenser / Soap Dispenser / Seifenspender / Distributeur de Savon



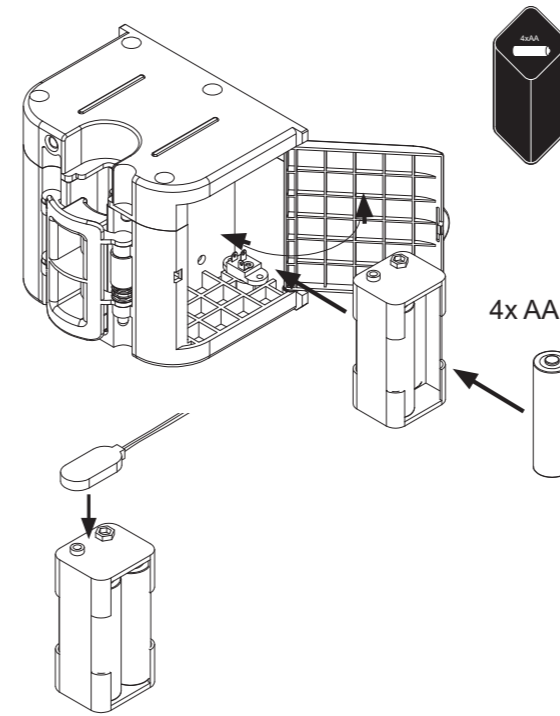
7.



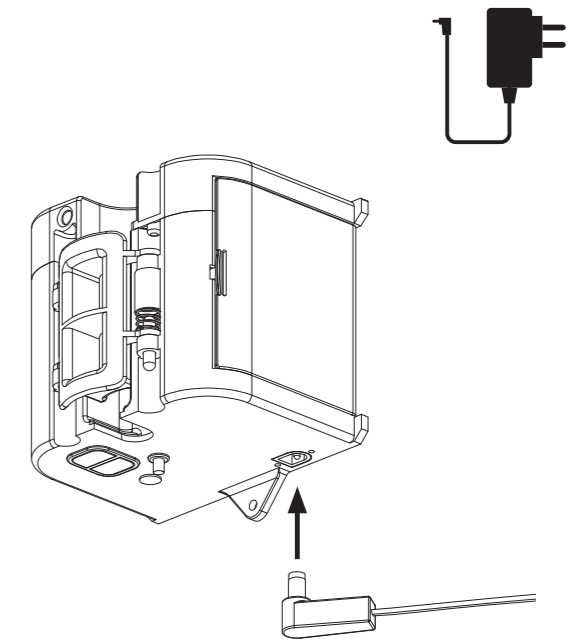
8.



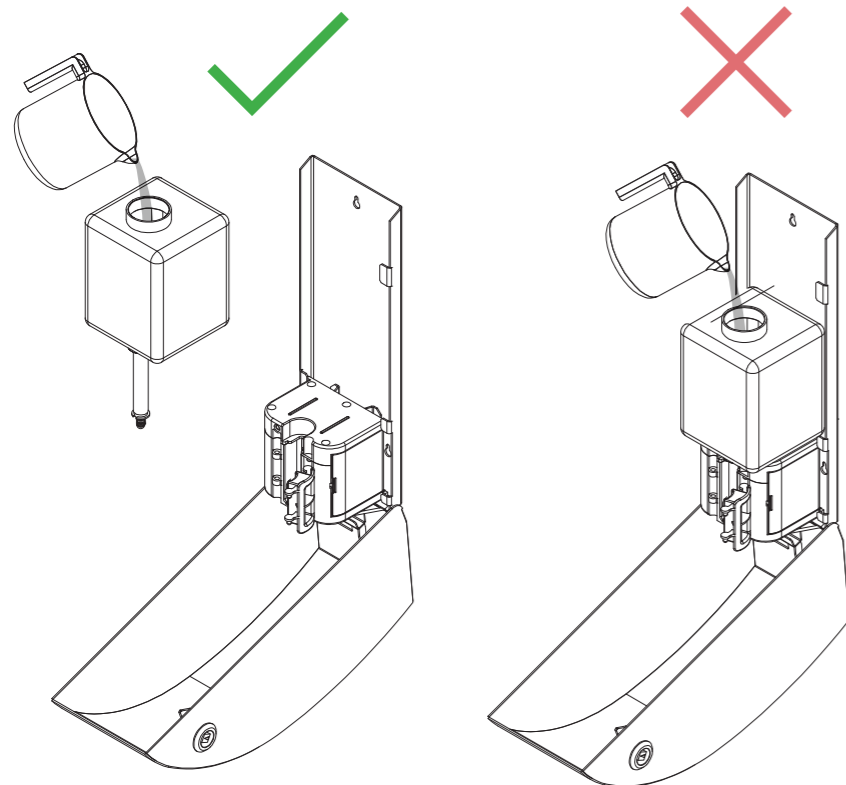
9.a



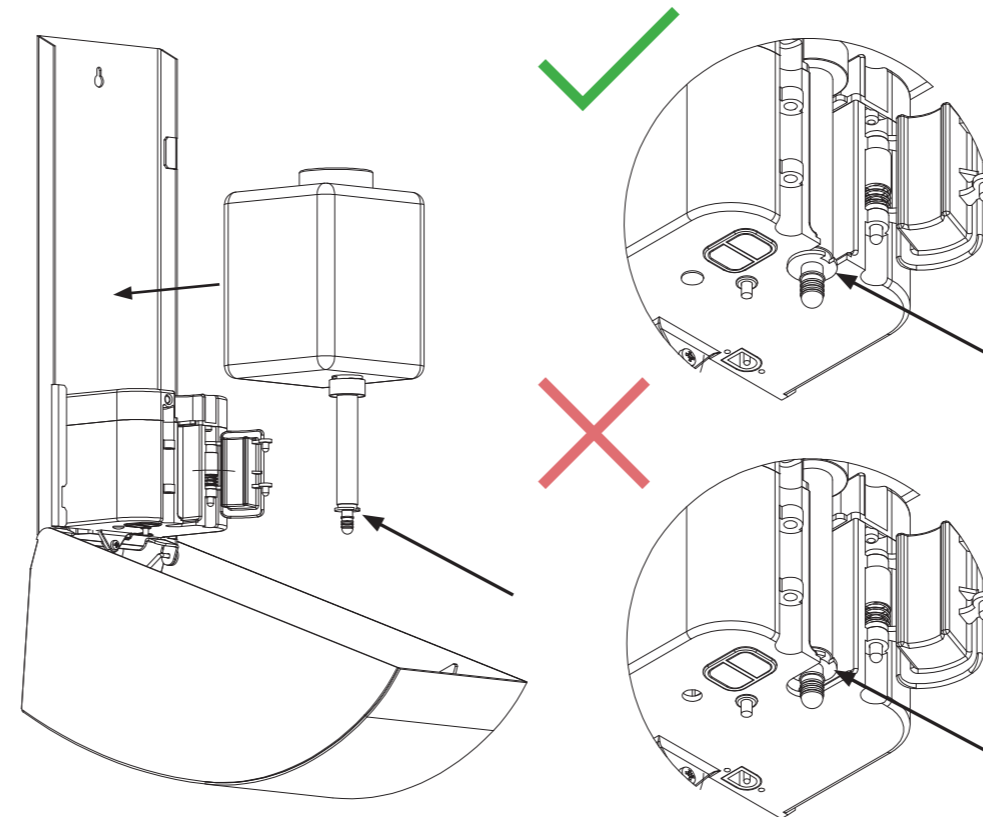
9.b Optional



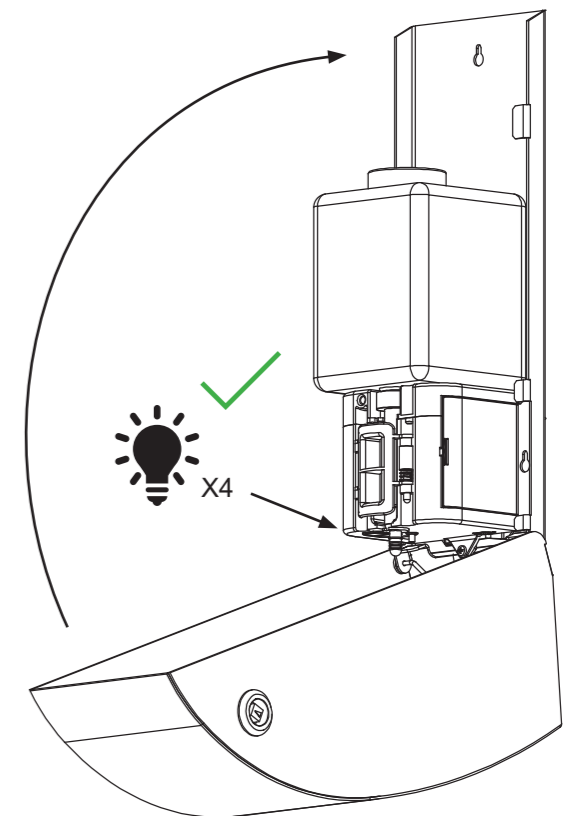
10.



11.



12.





# SPARE PARTS LIST

## Soap dispenser DESIGN 282

Art. No.	Spare part
10837	Security key for housing
28202	Square key for housing
10836	Soap container
10845	Tube with nozzle, silicone
10850	Control box / sensor (for soap dispenser with LED)
10842	Control box / sensor (for soap dispenser without LED)
10838	Plastic push bar (for dosage)
10844	4,5 Vdc transformer f/connection to 230 Vac – for soap dispenser without LED
10888	6 Vdc transformer f/connection to 230 Vac – for soap dispenser with LED



---

# COMPONENTS

DAN DRYER® DISPENSER • 282

---

