



USER MANUAL

LOKI HAND DRYER

Model: 4000 - 4007

TABLE OF CONTENTS

Dimensions and technical specifications	3
General safety information	4
Circuit diagram	4
Installation	5
User guide	6
Recommended installation height	6
Cleaning and maintenance	6
Adjustment of warm air speed output	7
Heating element switch	7
Adjustment of sensor range	7
Troubleshooting and corrective actions	8
Symptoms and corrective actions of first-time installed hand dryers	8
Symptoms and corrective actions of used hand dryers	8
Parts list	9

IMPORTANT!

This product falls within the scope of the WEEE directive on recycling and recovery of waste electrical and electronic equipment.



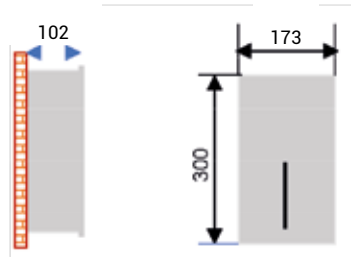
- This product should not be disposed of with general household waste.
- This product must be reused if possible.
- Contact your local authority for further details.
- This product may also be returned to the manufacturer/retailer for proper treatment, recovery, and recycling.



DIMENSIONS AND TECHNICAL SPECIFICATIONS

Dimensions

Unit of measurement: mm



TECNICAL SPECIFICATIONS

DESCRIPTION	DATA
Operating voltage	110V-120V, 50/60Hz, 0.84-1.0kW 220V-240V, 50/60Hz, 0.84-1.0kW
Air temperature	55°C ~ ambient temperature 25°C
Air speed	95-115 m/s (adjustable)
Motor type	325-500W (adjustable) carbon brush, 22000-29000 rpm.
Motor thermal protection	Auto resetting, thermostat turns off at: 120V at 135°C 240V at 95°C
Heating element	325 - 500W (adjustable)
Heating element protection	Auto resetting, thermostat turns circuit off at: 85°C, thermal fuse turns off at 142°C
Drying time	≤ 10-15 seconds
Stand-by power	0.3-0.4W
Sensor type	Infrared, self adjusting
Sensor range	110-230 mm adjustable. Standard 170mm± 20mm
Protection timer	60 seconds auto shut off
IP Class	IP24
Insulation class	Class 1
Net weight	5 kg
Gross weight	5.7 kg

PRODUCT TYPE / MODEL

- 4000 / 4001 Stainless steel, brushed, LOKI hand dryer, 230V/110V
- 4002 / 4003 White powder coated stainless steel, LOKI hand dryer, 230V/110V
- 4004 / 4005 Black powder coated stainless steel, LOKI hand dryer, 230V/110V
- 4006 / 4007 Custom RAL colour, stainless steel, LOKI hand dryer, 230V/110V

GENERAL SAFETY INFORMATION

WARNING

- All units must be equipped with a 3-wire service. Connect the ground wire according to the instructions.
- This product must be installed only by qualified persons. Use 2.0mm² (AWG) NO.14 wiring.
- Turn off the power to the unit before servicing or cleaning. All wires must be disconnected.
- Incorrect installation, defect power cords, or failure to properly ground unit could result in electrical shock or life-threatening injuries.

NOTE

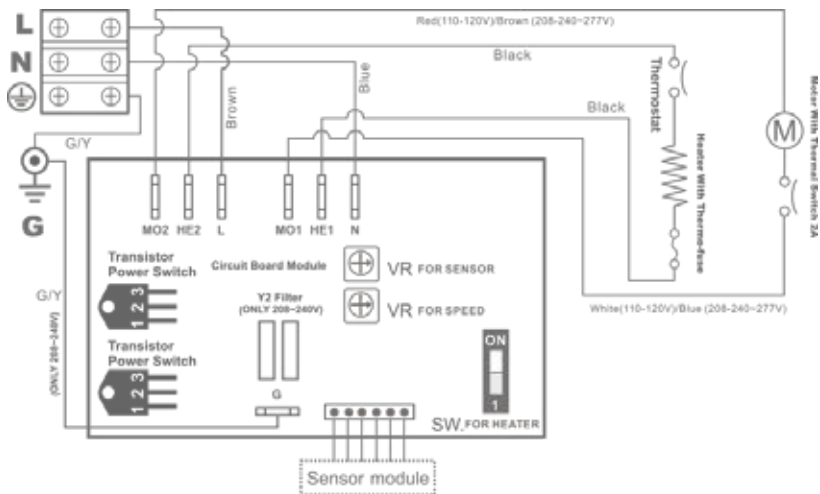
We do not recommend to install this product less than 300 mm above washbasin, tabletop or other surface. This product is suitable for indoor use only.

Type Y connection: If the power supply cord is damaged, it must be replaced immediately. Only qualified persons shall be permitted to replace the cord to avoid a hazard. Disconnect the electricity supply cord according to instructions.

This product is not intended for use by persons (inclusive children) with reduced physical, sensory or mental capabilities, or lack of experience and knowledge, unless they are supervised or have been given instruction concerning use of the product by a person responsible for their safety.

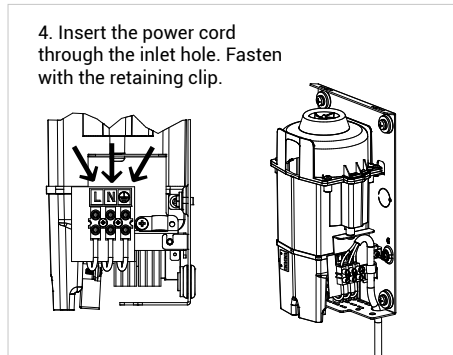
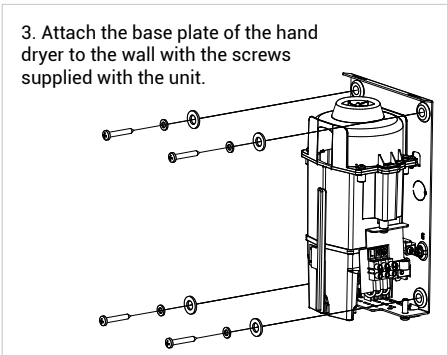
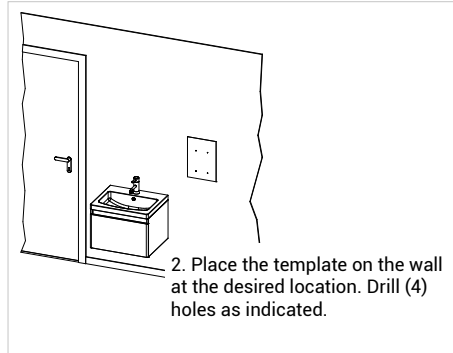
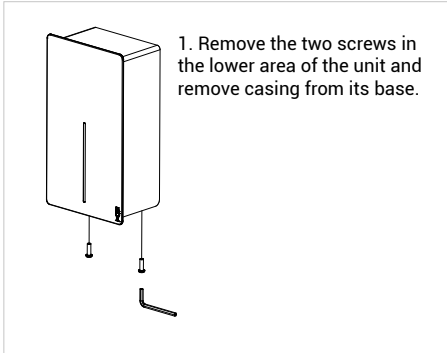
Children should be supervised to ensure this product is used correctly.

CIRCUIT DIAGRAM

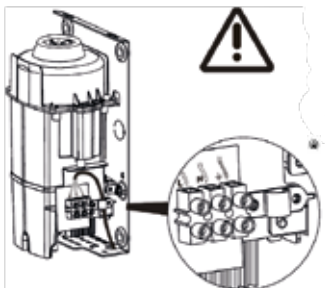


INSTALLATION

- Make sure the main breaker is turned off. Installation must be carried out by a qualified person in accordance with standards applicable in the country where the equipment is to be installed.
- Place template against the wall at desired height (see mounting height recommendations) and mark location of (4) mounting holes and the wire service entry.



5. Connect supply wires to terminal block:



Connections:

- A. Connect live wire (coloured red, brown, or white) to the terminal block marked "L"
- B. Connect neutral wire (coloured black or blue) to terminal block marked "N"
- C. Connect the ground wire (coloured green or green and yellow) to the screw marked "⊕"

NOTE

Colours of live and neutral wires depend on voltage of supply service.

USER GUIDE

- No-touch operation.
- Shake excess water from hands.
- Place hands under the outlet to start operation.
- Rub hands lightly and rapidly.
- Stops automatically after hands are removed.

RECOMMENDED INSTALLATION HEIGHT

From bottom edge of hand dryer above finished floor.

Men	1270 mm	(50")
Women	1194 mm	(47")
Children, 4-7 years	889 mm	(35")
Children, 8-10 years	991 mm	(39")
Children, 11-13 years	1092 mm	(43")
Children, 14-16 years	1194 mm	(47")
Wheelchair users	1016 mm	(40")

CLEANING AND MAINTENANCE

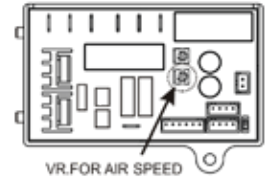
Routine cleaning and maintenance is recommended every 12 months to ensure your hand dryer is running at optimal performance.

- Disconnect the electrical supply.
- Remove the two cover-mounting screws.
- Remove the cover.
- Clean the interior of the dryer and remove any dust.
- Do not soak.
- Use a damp cloth and mild cleaning solution. Never use cleaning detergents with an abrasive effect.
- Replace the cover. Do not overtighten the screws.



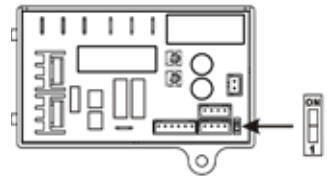
WARM AIR SPEED ADJUSTMENT

- Switch off the power and remove the cover.
- Use Phillips screwdriver or flat notch.
The air speed is adjusted on the VR potentiometer.
Clockwise to increase air speed(+).
Counterclockwise to decrease air speed(-).



HEATING ELEMENT SWITCH

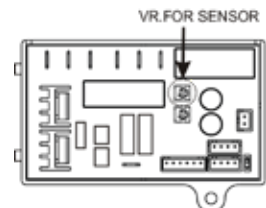
- Switch off the power and remove the cover.
- The heating element switch is located on the timer.
Adjust with a flat screwdriver:
- Slide switch to "ON" = heating element on.
- Slide switch to "1" = heating element off.



SENSOR RANGE ADJUSTMENT

- The sensor range is adjustable between 100mm and 230mm.
Standard range 130mm \pm 20mm.
- Clockwise: To increase sensor activation range (+)
- Counterclockwise: To decrease sensor activation range (-)
- The sensor activation range should be adjusted to its environments,
e.g. light and distance to the bottom of the sink.

Note: Do not overturn the sensivity adjustment.



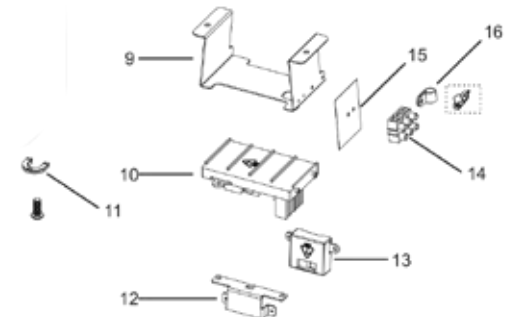
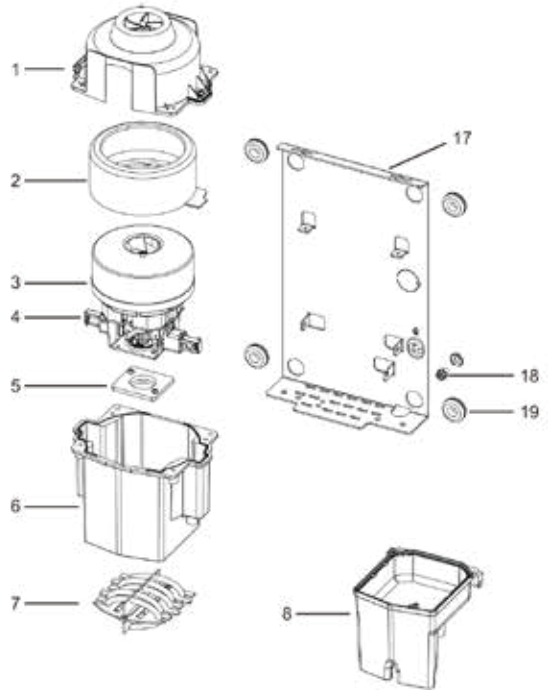
TROUBLESHOOTING AND CORRECTIVE ACTIONS

SYMPTOM	CORRECTIVE ACTION: FIRST-TIME INSTALLED HAND DRYERS
The dryer does not run	First ensure that the breaker supplying the dryer is operational. If it is, disconnect the power and remove the cover. Taking suitable precaution to avoid shock hazard, reconnect the power and check for voltage on the terminal block. Verify that connections are made correctly.
The dryer cycles by itself and runs constantly	Ensure that there is no obstruction on or in front of the sensor. Clean any dirt off the sensor lens. If problem persists, replace the sensor.
The dryer is very loud and does not run for a complete cycle	Ensure that the supply voltage is correct. The dryer will make a loud humming noise if the input voltage is too high. Verify voltage requirement on the unit rating label and correct accordingly. If the timer is damaged, replace unit as well as sensor.
The dryer runs, but the airspeed is low	Ensure that the supply voltage is correct. The dryer will run slowly if the input voltage is too low. Verify voltage requirement on the unit rating label and correct accordingly.

SYMPTOM	CORRECTIVE ACTION: USED HAND DRYERS
The dryer does not run	First ensure that the breaker supplying the dryer is operational. If it is, disconnect the power and remove the cover. Replace timer and sensor. Taking suitable precaution to avoid shock hazard, reconnect the power and check for voltage on the terminal block.
The IR-sensor detects only close range objects	Ensure that there is no obstruction on or in front of the sensor. Clean any dirt off the sensor lens. If problem persists, disconnect the power and remove the cover. Taking suitable precaution to avoid shock hazard, try carefully adjusting the sensitivity range (see section regarding this). Reconnect the power. If problem persists, replace sensor.
The dryer gets hot, but there is no air stream	Disconnect the power. Remove the cover and disassemble the blower/fan unit. Replace motor.
The dryer blows only cold air during a full cycle	Disconnect the power. Remove the cover and disassemble the blower/fan unit. Test the thermostate for open circuit. Check the heating element for defects. Replace defect heating element.
The air pressure is low	Check the outlet nozzle for obstructions. If none, disconnect the power and remove the cover. Remove any dirt from the inlet. Disassemble the blower/fan unit, check if motor brushes are worn (≤ 10 mm graphite remains) and replace them, if necessary.

PARTS LIST

No.	Description
1	Fan housing (top)
2	Gasket (large) for fan housing
3	Motor
4	Motor carbon brush
5	Gasket (small) for fan housing
6	Fan housing (bottom)
7	Heating element
8	Outlet nozzle
9	Outlet nozzle bracket
10	Timer
11	Cable protector
12	Bracket for sensor
13	Sensor
14	Terminal block
15	Insulation mylar shield with LNG mark
16	Cable clamp
17	Base plate
18	Grounding screw with cup washer
19	Rubber bushing (4 reqd.)
20	Housing
21	Housing screws (2 pcs.)
22	Allen key for housing screws
23	HEPA filter (optional)
24	Bracket for HEPA filter (optional)





DAN DRYER A/S

Alsikevej 8

DK - 8920 Randers NV

T: +45 8641 5711

E: info@dandryer.dk

W: dandryer.com

