



USER MANUAL

BJÖRK HAND DRYER

Model: 3000-3002-3006 / 3010-3012-3016

TABLE OF CONTENTS

Dimensions and technical specifications	3
General safety information	4
Circuit diagram	4
Installation	5
User guide	6
Recommended installation height	6
Cleaning and maintenance	6
Adjustment of air speed and temperature	7
Adjustment of sensor range	7
Troubleshooting and corrective actions	8
Symptoms and corrective actions: New hand dryer	8
Symptoms and corrective actions: Used hand dryer	8
Parts list	9

IMPORTANT!

This product falls within the scope of the WEEE directive on recycling and recovery of waste electrical and electronic equipment.



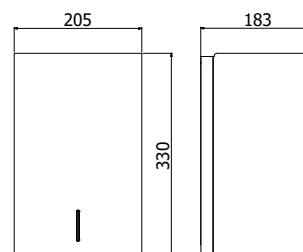
- This product should not be disposed of with general household waste.
- This product must be reused if possible.
- Contact your local authority for further details.
- This product may also be returned to the manufacturer/retailer for proper treatment, recovery, and recycling.



DIMENSIONS AND TECHNICAL SPECIFICATIONS

Dimensions

Unit of measurement: mm



TECHNICAL SPECIFICATIONS

DESCRIPTION	DATA
Operating voltage	110V-120V, 50/60Hz, 1.3-1.6kW 220V-240V, 50/60Hz, 1.3-1.6kW
Air temperature	55°C ~ ambient temperature 25°C
Air speed	75-100 m/s (adjustable)
Motor type	350-700W (adjustable)
Motor thermal protection	Auto resetting, thermostat turns off at: 120V at 135°C 240V at 95°C
Heating element	350-700W (adjustable)
Heating element protecting	Auto resetting, thermostat turns circuit off at: 85°C, thermal fuse turns off at 142°C
Drying time	≤ 10 seconds
Stand-by power	0.3-0.4W
Sensor type	Infrared
Sensor range	100-230 mm adjustable. Standard 170mm± 20mm
Protection timer	60 seconds auto shut off
IP Class	IP31
Insulation class	Class 1
Net weight	5.7 kg
Gross weight	6.5 kg

PRODUCT TYPE / MODEL

- 3000 / 3010 White powder coated stainless steel, BJÖRK hand dryer, 230V/110V
- 3006 / 3016 Black powder coated stainless steel, BJÖRK hand dryer, 230V/110V
- 3002 / 3012 Custom RAL colour, stainless steel, BJÖRK hand dryer, 230V/110V

GENERAL SAFETY INFORMATION

WARNING

- All units must be equipped with a 3-wire service. Connect the ground wire according to the instructions.
- This product must be installed only by qualified persons. Use 2.0mm² (AWG) NO.14 wiring.
- Turn off the power to the unit before servicing or cleaning. All wires must be disconnected.
- Incorrect installation, defect power cords, or failure to properly ground unit could result in electrical shock or life-threatening injuries.

NOTE

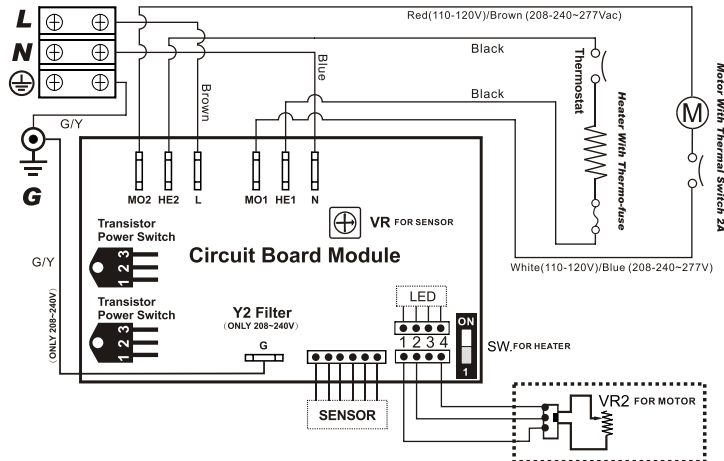
We do not recommend to install this product less than 300 mm above washbasin, tabletop or other surface. This product is suitable for indoor use only.

Type Y connection: If the power supply cord is damaged, it must be replaced immediately. Only qualified persons shall be permitted to replace the cord to avoid a hazard. Disconnect the electricity supply cord according to instructions.

This product is not intended for use by persons (inclusive children) with reduced physical, sensory or mental capabilities, or lack of experience and knowledge, unless they are supervised or have been given instruction concerning use of the product by a person responsible for their safety.

Children should be supervised to ensure this product is used correctly.

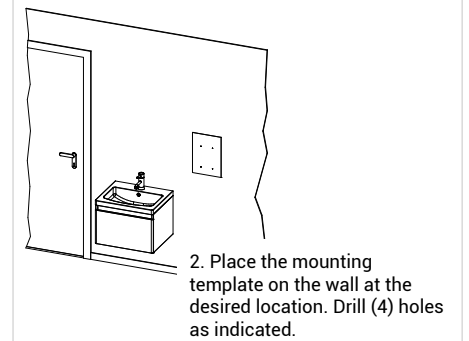
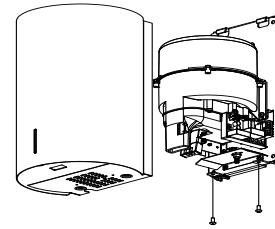
CIRCUIT DIAGRAM



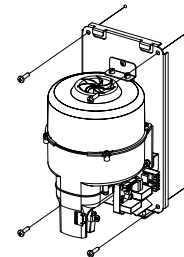
INSTALLATION

- Make sure the main breaker is turned off. Installation must be carried out by a qualified person in accordance with standards applicable in the country where the equipment is to be installed.
- Place template against the wall at desired height (see mounting height recommendation) and mark location of (4) mounting holes and the wire service entry.

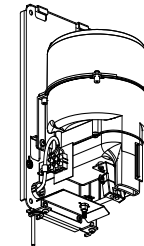
1. Remove the two screws in the lower area of the unit and remove the casing from its base.



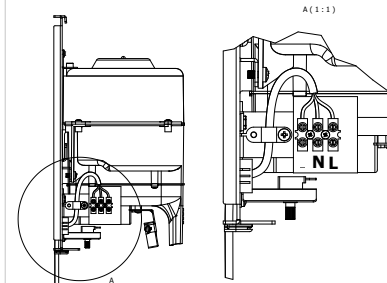
3. Attach the hand dryer base plate to the wall with the screws supplied with the unit.



4. Insert the power cord through the inlet hole. Fasten with the retaining clip.



5. Connect supply wires to terminal block:



CONNECTIONS:

- Connect live wire (coloured red or brown) to the terminal block marked "L"
- Connect neutral wire (coloured blue) to terminal block marked "N"
- Connect the ground wire (coloured green and yellow) to the terminal block marked "G"

NOTE

Colours of live and neutral wires depend on voltage of supply service.

BRUGSANVISNING

- Shake excess water from hands.
- Place hands under the outlet to start operation.
- Rub hands lightly and rapidly.
- Stops automatically after hands are removed.

RECOMMENDED INSTALLATION HEIGHT

From bottom edge of hand dryer above finished floor.

Men	1270 mm	(50")
Women	1194 mm	(47")
Children, 4-7 years	889 mm	(35")
Children, 8-10 years	991 mm	(39")
Children, 11-13 years	1092 mm	(43")
Children, 14-16 years	1194 mm	(47")
Wheelchair users	1016 mm	(40")

CLEANING AND MAINTENANCE

Routine cleaning and maintenance is recommended every 12 months to ensure your hand dryer is running at optimal performance.

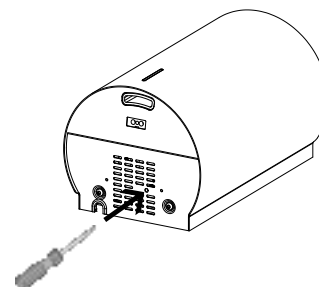
- Disconnect the electrical supply.
- Remove the two cover-mounting screws.
- Remove the casing.
- Clean the interior of the dryer and remove any dust.
- Check carbon brushes. If worn (≤ 10 mm graphite remaining), they must be replaced.
- Do not soak.
- Use a damp cloth and mild cleaning solution. Never use cleaning detergents with an abrasive effect.
- Replace the cover. Do not overtighten the screws.



ADJUSTMENT OF AIR SPEED AND TEMPERATURE

- Insert a flat notch through the hole in the bottom of the casing and place it in the potentiometer screw (see drawing below).
- Adjust the air speed and temperature by rotating the potentiometer screw:
Clockwise to increase(+).
Counterclockwise to decrease (-).

Note: Do not overturn the adjustment!

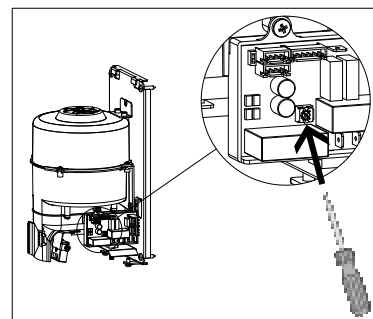


SENSOR RANGE ADJUSTMENT

The sensor range is adjustable between 100mm og 230mm
Standard range 170mm \pm 20mm

- Switch off the power, remove the (2) screws in the lower area, and remove the cover.
- Use a small Phillips screw driver or flat notch to adjust the sensoren on the VR-screw:
Clockwise: To increase sensor activation range (+)
Counterclockwise: To decrease sensor activation range (-)
- The sensor activation range should be adjusted to its environments,
e.g. light and distance to the bottom of the sink.

Note: Do not overturn the sensivity adjustment.

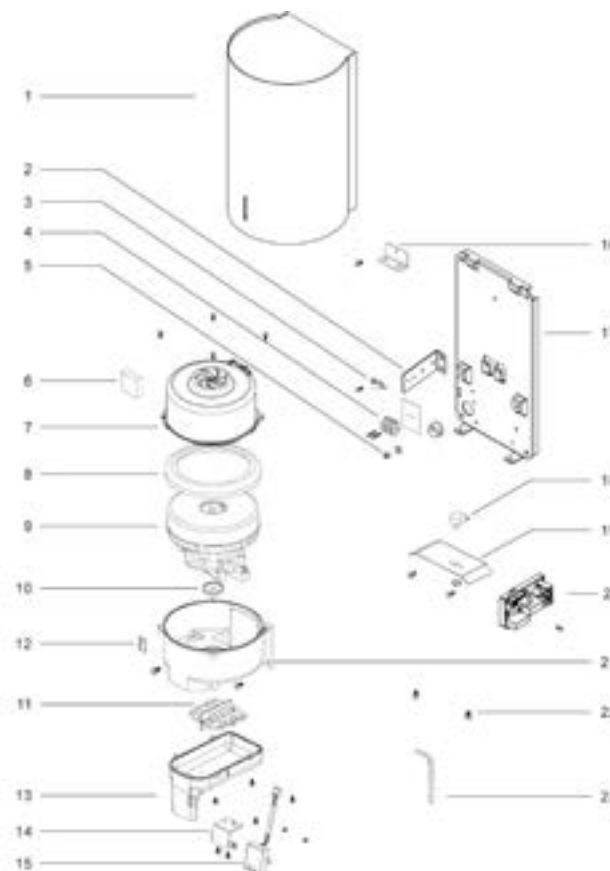


TROUBLESHOOTING AND CORRECTIVE ACTIONS

SYMPTOM	CORRECTIVE ACTION: NEW HAND DRYER
The dryer does not run	Check breaker supplying the dryer is operational; check power cord is correctly installed in the unit, and the connection has been made correctly. Take suitable precaution to avoid shock hazard.
The dryer cycles by itself and runs constantly	Ensure there is no obstruction on or in front of the IR sensor. Clean any dirt off the sensor. If problems persists, replace sensor. Adjust sensor sensitivity if needed.
The dryer is very loud and does not run for a complete cycle	Check supply voltage is correct. If PBC is damaged due to incorrect voltage, replace unit as well as sensor and timer. Check if carbon brushes are worn (≤ 10 mm graphite remaining) and replace if needed.
The dryer runs, but the airspeed is low	Check supply voltage is correct. The dryer will run slowly if the input voltage is too low. Check if potentiometer for air speed is adjusted too low.

SYMPTOM	CORRECTIVE ACTION: USED HAND DRYER
The dryer does not run	First ensure the breaker supplying the dryer is operational. If it is, disconnect the power and remove the cover. Replace PCB and IR sensor. Taking suitable precaution to avoid shock hazard, reconnect the power and check for voltage on the terminal block.
The IR-sensor detects only close range objects	Clean any dirt off the sensor lens. If problem persists, disconnect the power and remove the cover. Taking suitable precaution to avoid shock hazard, try carefully adjusting the sensitivity range (see section regarding this). Reconnect the power. If problem persists, replace IR sensor and timer.
The dryer gets hot, but there is no air stream	Disconnect the power. Remove the cover and disassemble the blower/fan unit. Replace motor.
The dryer blows only cold air during a full cycle	Disconnect the power. Remove the cover and open the motor housing. Verify "Power SW for heater" on PCB is "ON". Check heating element for open circuit and signs of defects caused by overheating. Replace defect heating element.
The air pressure is low	Check the output nozzle for obstructions. If none, disconnect the power and remove the cover. Remove any dirt from the inlet. Disassemble the blower/fan unit, check if motor brushes are worn (≤ 10 mm graphite remains). Replace brushed and/or motor, if necessary.

PARTS LIST



No.	Description
1	Casing
2	Bracket for terminal block
3	Retaining clip
4	Terminal block
5	Grounding screw
6	Shock absorber
7	Blower housing, upper
8	Blower housing rubber, large
9	Motor, 700W
10	Blower housing rubber, small
11	Heating element, 900W
12	LED unit

No.	Description
13	Outlet branch
14	Sensor bracket
15	Sensor
16	Blower housing bracket
17	Base plate
18	Potentiometer
19	Potentiometer bracket
20	Timer
21	Blower housing, lower
22	Casing screws (2 reqd.)
23	Allen key for casing screws



DAN DRYER A/S

Alsikevej 8

DK - 8920 Randers NV

T: +45 8641 5711

E: info@dandryer.dk

W: dandryer.com

