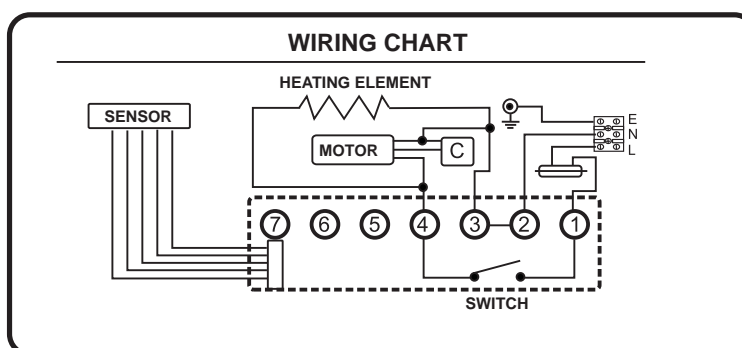
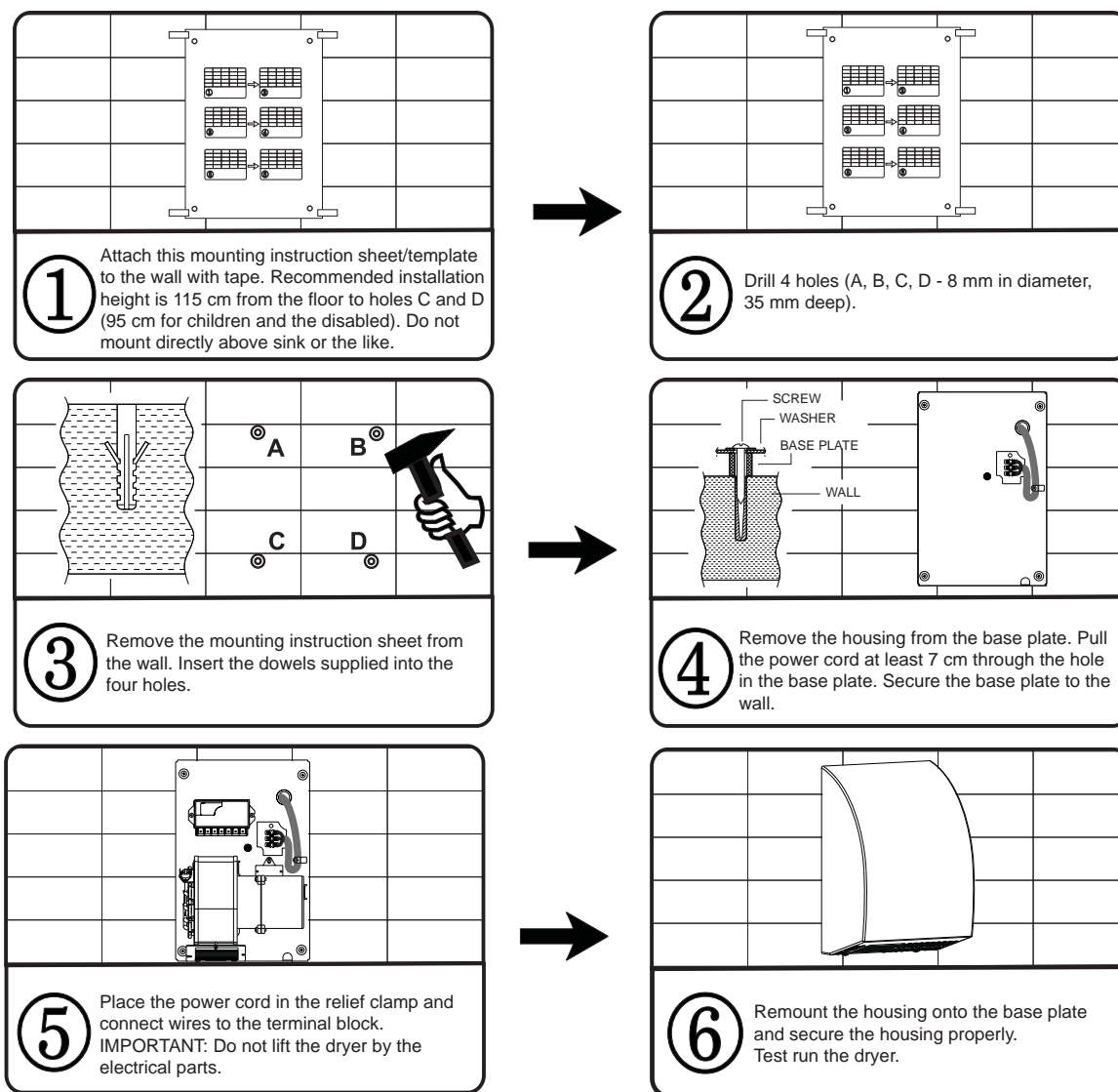


## MOUNTING INSTRUCTIONS / TEMPLATE

THE DRYER MUST BE PROPERLY EARTHED.  
FOR FIXED INSTALLATION, CONNECT VIA CIRCUIT BREAKER.



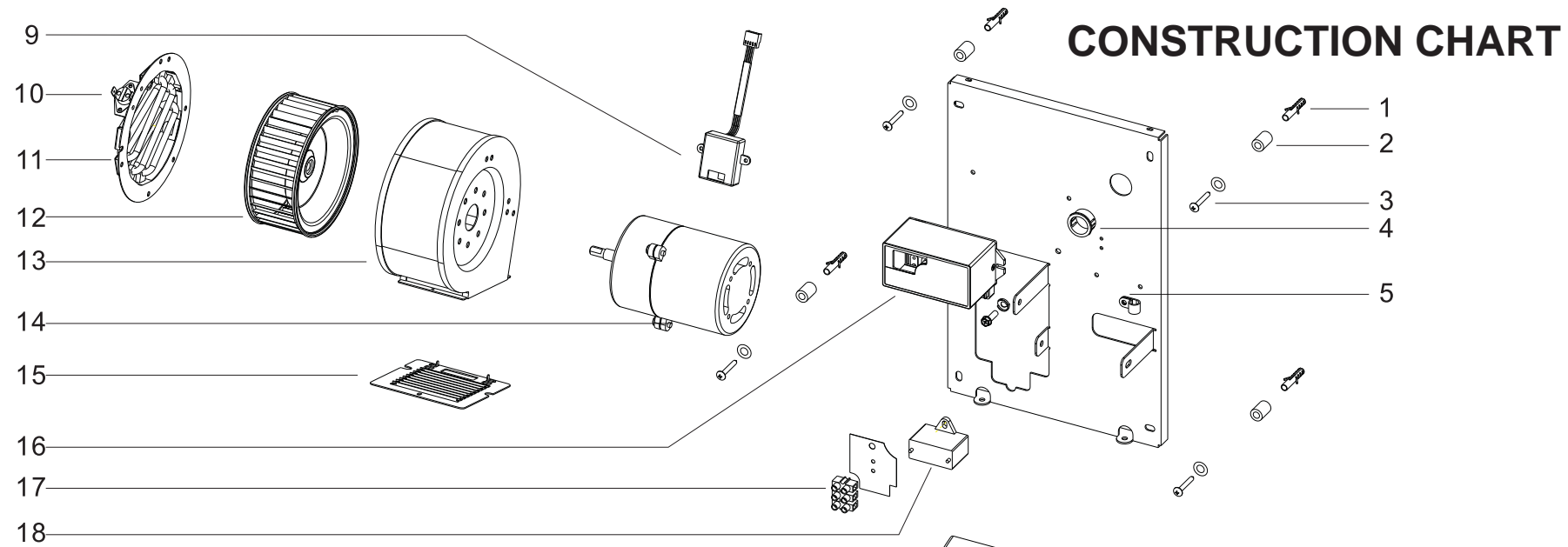
**RECOMMENDED INSTALLATION HEIGHT:**  
115 CM FROM THE FLOOR FOR ADULTS / 95 CM FOR CHILDREN AND THE DISABLED.

**IMPORTANT!** This product is covered by the WEEE regulations on the recycling and recovery of waste electrical and electronic equipment.

- This products is not to be treated as household refuse.
- This product must be recycled if possible.
- Contact local authorities for advice.
- The product may also be returned to the manufacturer/distributor free of charge. The manufacturer/distributor will ensure proper recycling/disposal.

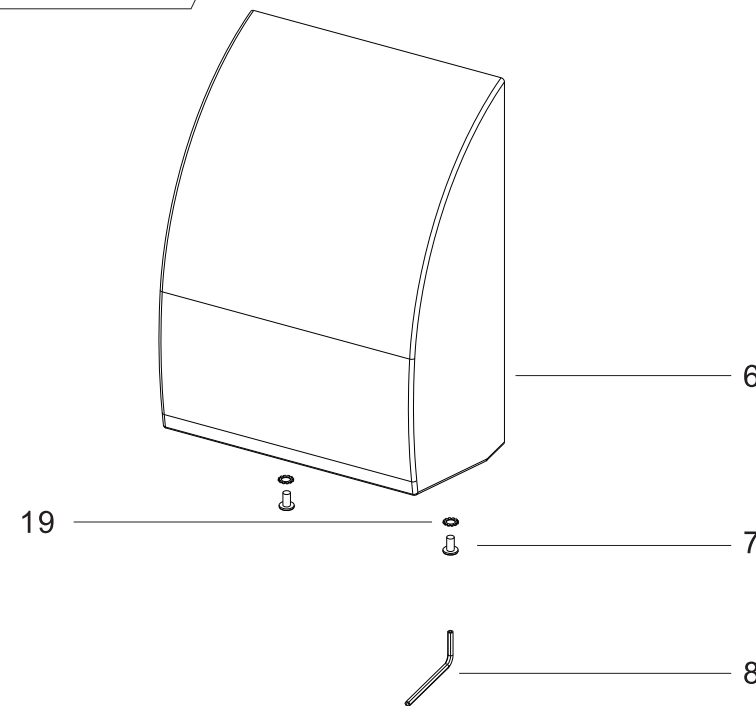


289 mm



### SPARE PARTS LIST DAN DRYER MINI STAINLESS

No.	Description	Qty.
1	Dowel	4
2	Spacer	4
3	Screw for base plate mounting	4
4	Bushing	1
5	Tensile relief clamp	1
6	Housing	1
7	Screw for housing	2
8	Allen key	1
9	Sensor	1
10	Thermostat	1
11	Heating element	1
12	Fan	1
13	Fan housing	1
14	Motor	1
15	Air outlet grille	1
16	Timer	1
17	Terminal block	1
18	Capacitor	1
19	Tooth lock washer	2



**DAN DRYER**  
 DK-8940 RANDERS SV - DENMARK  
 Tél.: +45 86 41 57 11 - [www.dandryer.com](http://www.dandryer.com)