

INSTALLATION & USER INSTRUCTIONS

DAN DRYER® ELEGANCE HAIR DRYER TYPE 713

Enclosed with the hair dryer are the installation instructions as well as a small plastic bag containing:

- 2 pcs. screws
- 2 pcs. rawlplugs
- 1 pcs. plastic cap, upper screw hole
- 1 pcs. plastic cap, bottom screw
- 1 pcs. plastic hanger

COMPONENTS:

1. Switch for air temperature setting
2. Activation button
3. Base plate
4. Indicator lamp
5. Cap
6. Power switch
7. Holder
8. Dryer unit

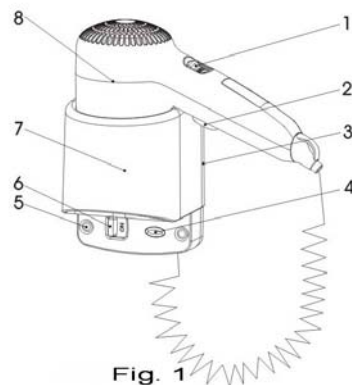


Fig. 1

PRIOR TO INSTALLATION:

Before installing the hair dryer, please check that the network has sufficient capacity to handle the extra wattage specified on the handle of the dryer.

Be sure to install the hair dryer in adequate safety distance from bath tub and shower. The product is only suitable for indoor use.

The hair dryer is double-insulated and thus needs no earth connection.

INSTALLATION VIA PLUG SWITCH:

- ❶ Mark and drill 2 holes vertically underneath each other, 95 mm apart, as shown in Fig. 2. Use 6 mm drill. Insert the enclosed dowels into the holes and fix the plastic hanger (marked 4 on Fig. 2) in the lower screw hole.
- ❷ Slide the base plate of the holder in place onto the hanger, thus attaching the base plate. Fix the holder onto the wall and use the enclosed plastic

cap (marked 3 on Fig. 2) to cover the upper screw hole.

- ❸ The unit is ready for use when plugged in, and when the power switch is in ON position.

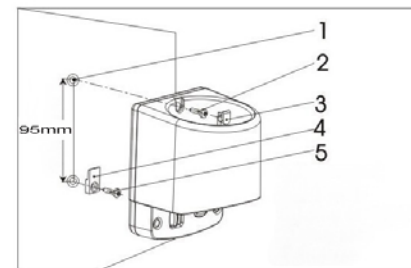


Fig. 2

FIXED INSTALLATION:

- ❶ Mark and drill 2 holes vertically underneath each other, 95 mm apart, as shown in Fig. 2. Use 6 mm drill. Insert the enclosed dowels into the holes and fix the plastic hanger (marked 4 on Fig. 2) in the lower screw hole.
- ❷ Remove the cover marked 5 on Fig. 3.
- ❸ Remove the power cable that came with the dryer from the terminal block.
- ❹ Press to remove the plastic bit marked 1 on Fig. 4 to create cable entry for fixed installation. Pull the cable from the wall through the hole and slide the base plate of the holder in place onto the hanger, thus attaching the base plate. Connect cable to terminal block (marked 2 on Fig. 4).
- ❺ Reattach the cover marked 5 on Fig. 3, and fix the dryer onto the wall using the enclosed screw (marked 1 on Fig. 2).
- ❻ The unit is ready for use when plugged in, and when the power switch is in ON position.

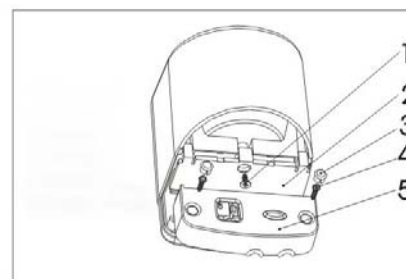


Fig. 3

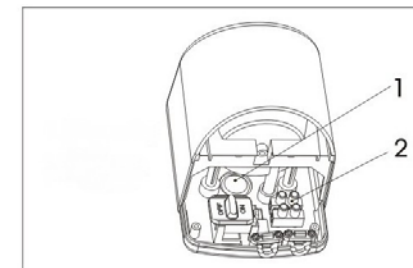


Fig. 4

USER INSTRUCTIONS:

- When the power switch is in ON position, lift dryer and grip firmly round the activation button to activate.
- Air volume as well as temperature is adjustable. The switch placed on the back side of the handle alternates between MAX. (1200 W) and MIN. (540 W).
- Avoid directing the airflow towards your eyes.
- Do not cover air inlet / air outlet.
- Keep the dryer at safe distance from your hair to avoid hair getting stuck in the air inlet.
- Return the power switch to OFF position after use.

MAINTENANCE:

- Leave dryer in OFF position during cleaning.
- Clean plastic parts with a wrung cloth.
- Do not use corrosive cleaning products.

IMPORTANT!

This product is covered by the WEEE regulations on the recycling and recovery of waste electrical and electronic equipment.

- This product is not to be treated as household refuse.
- This product must be recycled if possible.
- Contact local authorities for advice.
- The product may also be returned to the manufacturer/distributor free of charge. The manufacturer/distributor will ensure proper recycling/disposal.



INSTALLATION & USER INSTRUCTIONS

DAN DRYER® ELEGANCE HAIR DRYER TYPE 713



DAN DRYER A/S

Tåsingevej 2 • DK-8940 Randers SV • Tel.: +45 86 41 57 11 • dandryer.com