

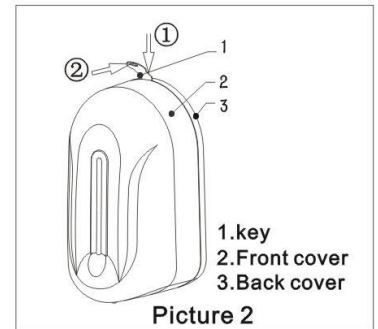
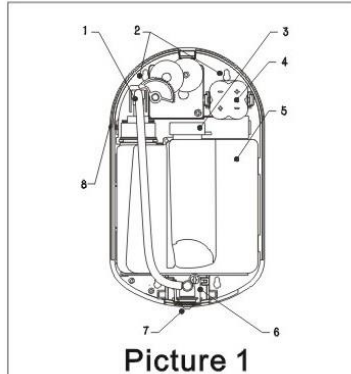
# MOUNTING INSTRUCTIONS

## DAN DRYER® ELEGANCE DISPENSER FOR SOAP / DISINFECTANT

Touch-free dispenser for maximum hygiene. For indoor use only! Apply 4 pcs. AA-LR6 1.5 V batteries.

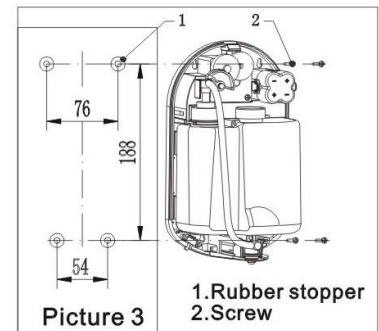
### COMPONENTS DRAWING:

1. Pump
2. Holes for wall mounting
3. Lid for container for soap/disinfectant
4. Battery compartment
5. Container for soap/disinfectant
6. Sensor
7. Dosage nozzle
8. Switch



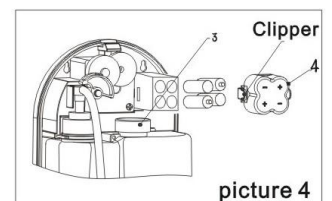
### MOUNTING:

1. Open the front cover using the enclosed key (where marked ① on Fig. 2.). The dispenser is deactivated when the front cover is opened. Remove the front cover to create access to the two lower screw holes.
2. Drill 4 holes in the wall where the dispenser is to be mounted. The dispenser should be mounted approx. 30 cm above sink or the like. Avoid mounting in direct sun or above highly reflective objects. Mark and drill screw holes as shown in Fig. 3. Use 6 mm drill and attach the base plate of the dispenser to the wall with the enclosed screws and dowels.



### USER INSTRUCTIONS:

1. Gently squeeze the two locking devices marked 4 on Fig. 4 to remove the lid for the battery compartment. Insert 4 pcs. AA-LR6 1.5 V batteries with + and - placed as indicated on the lid. Replace lid onto the battery compartment.
2. To refill with fluid soap / disinfectant, remove the lid of the container (pos. no. 3 on the components drawing). The container holds 1.1, l. Replace lid after refilling. **IMPORTANT:** In connection with the refilling of soap, the container should be removed and thoroughly rinsed out to prevent soap suds from clogging up the pump as well the dosage nozzle!
3. Reassemble the front cover of the dispenser and close. When the front cover of the dispenser is closed, the switch (pos. nr. 8 on the components drawing) makes contact, and the dispenser is now ready for dosage.
4. When the container has been filled for the very first time, the dispenser must be tested a few times remove air from the pump.
5. The dispenser is activated when a hand is held underneath the dosage nozzle at a distance of between 1-8 cm. One dosage is 1 ml of fluid soap / disinfectant. If hands are not remove after dosage, the dispenser will keep dosing until 1 ml every three seconds. After 30 seconds in total, the dispenser will stop dosing. Hands must then be removed to reset the dispenser.



### IMPORTANT!

This product is covered by the WEEE regulations on the recycling and recovery of waste electrical and electronic equipment.

- This product is not to be treated as household refuse.
- This product must be recycled if possible.
- Contact local authorities for advice.
- The product may also be returned to the manufacturer/distributor free of charge. The manufacturer/distributor will ensure proper recycling/disposal.

