

DECLARATION OF CONFORMITY

We declare under our sole responsibility that the products: DAN DRYER®
hand dryers types AA and AE to which this declaration relates are in
conformity with the below mentioned harmonized standards following the
provisions of the EEC Directive 73/23/EEC with amendments as well as EMC
Directive 2004/108/EC:

The declaration relates to the following documents:

1. certificate of conformity/test report issued by INTERTEK, ETL-SEMKO.
2. technical documentation which will be made available upon request.

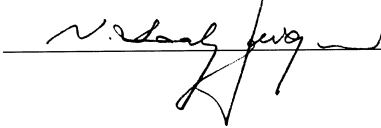
Standards:

EN 61000-6-1:2007
EN 61000-6-3:2007
IEC 60335-1:2001 + A1 + A2
IEC 60335-2-23 :2003
EN 60335-1:2002 + A11 + A1 + A12 + A2
EN 60335-2-23:2003
EN 60366:2003 + A1

Date:

Randers, 20.12.2007

Manufacturer:



IMPORTANT!

This product is covered by the WEEE regulations on the recycling and
recovery of waste electrical and electronic equipment.

- This product is not to be treated as household refuse.
- This product must be recycled if possible.
- Contact local authorities for advice.
- The product may also be returned to the manufacturer/distributor free
of charge. The manufacturer/distributor will ensure proper recycling/
disposal.



INSTALLATION INSTRUCTIONS

DAN DRYER® TYPES AA/AE



DAN DRYER A/S

Alsikevej 8 • DK-8920 Randers NV • Tel.: +45 86 41 57 11 • Fax: +45 86 41 60 89

INSTALLATION ON CONCRETE OR BRICK WALL:

- ❶ Attach the template (Fig. 1) to the wall with tape ensuring that it is level.
- ❷ Mark and drill holes "A". Drill holes to fit plugs for 8 mm screws.
- ❸ Insert plugs and secure the dryer to the wall with 8 mm screws.

INSTALLATION ON WOODEN OR PLASTER WALL:

- ❶ Attach the template (Fig. 1) to the wall with tape ensuring that it is level.
- ❷ Mark and drill holes "A".
- ❸ Secure the dryer with 8 mm screws for relevant wall type. Use plugs for plaster walls.

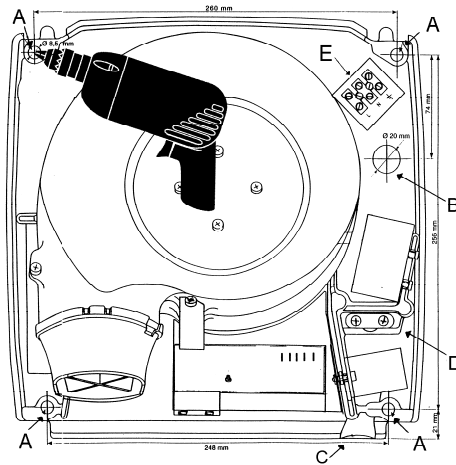


Fig. 1

INSTALLATION HEIGHTS:

From floor to the lower edge of the dryer:

	mounted as hand dryer	mounted as hair dryer
Adults	1150 mm (45")	1900 mm (75")
Children	950 mm (38")	1700 mm (67")
Disabled	950 mm (38")	1550 mm (61")

If multiple dryers are installed in line, the distance between each dryer must be minimum 600 mm (24"), measured from the centre of each dryer. Avoid installation directly above sink, tabletop or other reflective surfaces. If this is inevitable, it may be necessary to adjust the activation distance.

MAINS CONNECTION:

- ❶ When connecting directly to the fixed installation wiring via fixed cable or terminal box in the wall behind the dryer, the cable must be fed through hole "B" (Fig. 1) in the base plate and connected to the terminal block "E". Connect by means of three leads of min. 1.5 mm² cross-section per lead, 150 mm long (7 mm of which stripped).

- ❷ If installation as described in point ❶ is not possible, ensure fixed installation via contact breaker by feeding a loose, insulated cable through hole "C" at the bottom of the base plate, through tensile relief strap "D" for connection to terminal block "E". Apply three-core cable with earth wire, each lead min. 1.5 mm² cross section; maximum cable length: 1.5 m. Before securing the housing, remove the small relief at the bottom of the housing with cutting nippers and a file, ensuring that the hole is deburred and has no sharp edges.

NB: For dryers with stainless steel housings, point ❶ is the only installation option.

TESTING AND ADJUSTMENT - PUSHBUTTON MODEL:

The adjustable drying time is factory pre-set to approx. 30 seconds. The adjustment screw in the timer increases the cycle when turned clockwise and decreases when turned anti-clockwise.

If the dryer is installed as a hair dryer, the drying cycle may be set to the maximum time - approx. 170 seconds.

Do not attempt to dismantle the magnet attached to the inside end of the pushbutton - not even to test run the dryer.

TESTING AND ADJUSTMENT – ELECTRONIC MODEL:

The activation distance is factory pre-set to max. 200 mm measured from the air outlet. The activation distance can be increased by turning the adjusting screw on the timer clockwise, and decreased by turning the adjusting screw anti-clockwise.

The dryer starts automatically when hands are placed in the activation area and stops automatically 4 seconds after hands are removed.

Never test run dryers without the housing being fully secured in its place.

IMPORTANT

- If the dryer is installed as a hair dryer, it must be mounted out of reach of persons using shower or bath tub.
- The dryer must be properly earthed. When connecting directly to the fixed installation wiring via fixed installation circuit breaker, when switched off, the total distance of break in the circuit breaker must be min. 3 mm.
- **Remove the polystyrene protection block located inside the dryer underneath the motor before switching the dryer on.**